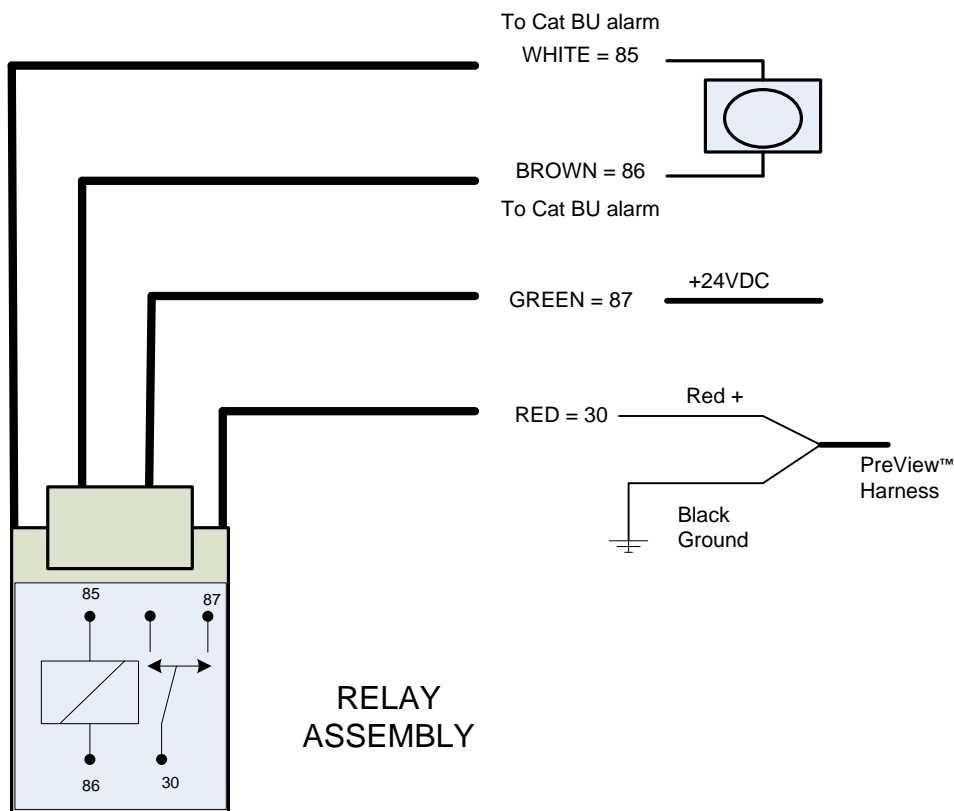




PreView® Off Road Relay Harness Installation Instructions



10335 W. Emerald St.
Boise, Idaho 83704
Phone 1.844.787.2327
www.preco.com



PreView® Off Road
Relay Harness

Connect the brown wire of the PVORH to one of the terminals of the backup alarm. Connect the white wire to the other terminal of the backup alarm. (polarity will not affect the operation of the relay)

Connect the green wire from the PVORH to the positive terminal of the battery or a similar source.

Connect the red wire from the PVORH to the red (+) wire on the PreView® harness.

Connect the black wire (-) on the PreView® harness to chassis ground.