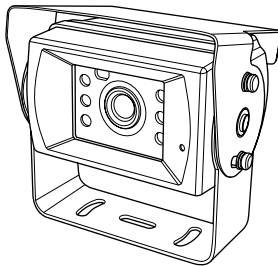


INSTRUCTION MANUAL

Thank you for purchasing this product.
For proper usage and application,
please read this instruction manual thoroughly.

CPC700

REAR CAMERA FOR VEHICLE



ver. 1.0 PRINTED IN KOREA

FEATURES

- 1/3" CCD image sensor
- 6 IR LEDs for low light performance
- Built-in Audio
- Waterproof IP-66
- Built-in Heater
- Aluminum die-casting housing
- Photo sensor

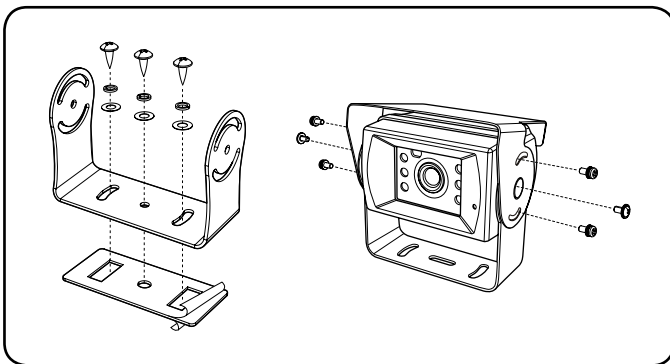
SPECIFICATIONS

Image sensor	1/3" COLOR CCD (NTSC/PAL)
Viewing angle	95 (H) / 70(V) / 120 (D)
Minimum illumination	0.01 lux
Input voltage	DC 12V / 200mA Max.
Operating temperature	-20°C ~ 65°C
Dimension	70(W) x 44(H) x 57(D) mm
Weight	400g (with bracket)

Box contents	Camera	1EA
	Camera Bracket	1EA
	Sun Visor	1EA
	Accessories Pack (Screws set & Adhesive tape)	1SET
	Instruction Manual	1EA
	Extension Cable	1EA

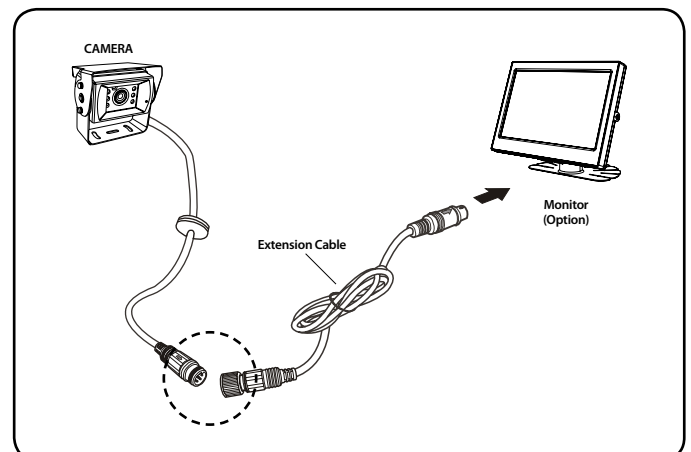
* Design and specifications are subject to change without notice.

INSTALLATION



1. Select a mounting position that the rear view can be effectively seen on the monitor screen.
2. Fix the camera bracket to the vehicle using the provided adhesive tape and self-tapping screws with spring washers.
3. Secure the camera to the bracket and sun visor using machine screws. Adjust the angle of camera and fasten the screws firmly.

CONNECTION



- ⚠ Before making the connection, disconnect the vehicle of the car battery to avoid electrical shock.
- ⚠ Connect the male connector of the camera pigtail to the female connector of extension cable. Align the arrows on both connectors and then tighten.