

# Dual XPV for Container Handler

## QUICK INSTALLATION GUIDE



10335 W Emerald St  
Boise, ID 83704  
Phone 1.208.323.1000



**1 Before You Start**

**Contents:**  
 2 Sensors—DXPV4226A-1 and DXPV4226A-2  
 Sensor Mounting Hardware: 2 sets of (4) each .25" ID Flat Washers, 1/4-20 x 1 1/2" Cap Screw, 1/4-20 Nylock Nuts

CD6102-2 Display (1)  
 Display Mounting Hardware:  
 Mounting Bracket (1)  
 (2) each— 4-40 1/4" Hex Nut and #4 Lock Washer

Alarm (1) FS255—102dB Alarm

Cables (2)  
 WS610T Interconnect Cable 30' / 9.1M (1)  
 XPV41Y6 Dual Sensor 'Y' Cable (1)

User Manuals

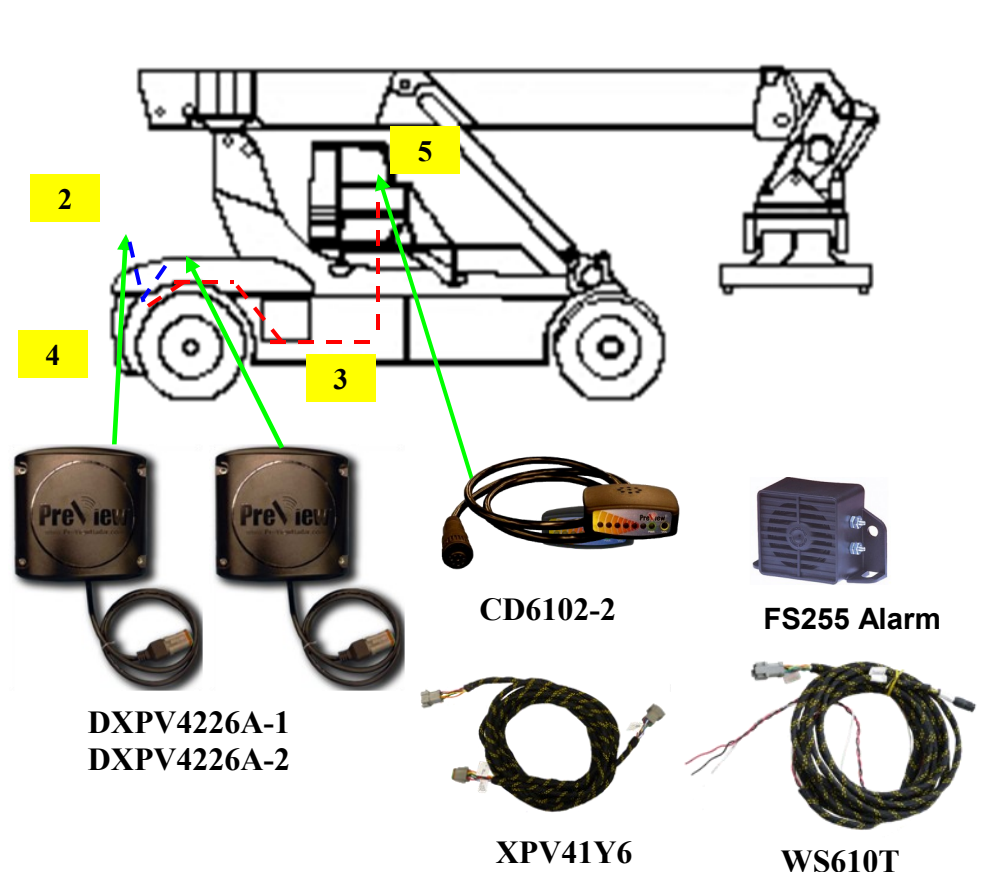
**SENSOR HARDWARE X 2**

**DISPLAY HARDWARE**

**3 Install Cables**

Routing the cable should start at the sensors. Attach the XPV41Y6 cable to both of the sensors and to the WS610T transition cable. Allow a small service loop in the cable at the sensors and secure the cable every few feet (~1M) with tie wraps. To enter the cab, drill a 1" (24mm) hole and feed the display connector through. Route the remaining length of cable to the display. Wiring details shown on the back of this document.

**Critical Note!**  
**The sensor mating connector is fully waterproof if mated properly. The connectors with a collar (coupling ring) must be turned to the right until they lock with the mating connector. The connectors with a latch(es) must click (locking mating connectors together). Do not route cable next to heat sources or area that may see abrasion or rock and debris damage. Bundle and store any excess cable.**



**2 Mount Sensors**

Mount the sensors on the vehicle counterweight. The sensors should be mounted as wide as possible on the rear corners of the vehicle. Mount the sensors to the brackets using the supplied hardware with 50 in-lbs maximum torque.

**Important!**  
 Before the PreView System is permanently installed to the vehicle, verify the selected location provides a clear detection zone. Temporarily attach the sensors in the proposed location, apply power to the system, and verify nothing is detected.

↑  
Note orientation  
THIS SIDE UP

**4 Mount Alarm**

FS255 Alarm. Remove the existing back-up alarm and mount the FS255 Alarm in the same location or in close proximity. Wiring details shown on the back of this document.

**5 Mount in-cab Display**

Mount the display in a location that is easily viewed by the driver during vehicle operation. Possible locations for the display are on the dash or by either windshield pillar. Use the drill template and supplied hardware (including the bracket) to mount the display in the cab of the vehicle as desired.

**Wire Connections Wiring Diagram**

**Back Page**

**Contact Technical Support with Questions:**  
 Telephone: 844.787.2327  
 Web: [www.PreViewRadar.com](http://www.PreViewRadar.com)  
 Email: [support@preco.com](mailto:support@preco.com)

# Dual XPV for Container Handler

## QUICK INSTALLATION GUIDE



10335 W Emerald St  
Boise, ID 83704  
Phone 1.208.323.1000

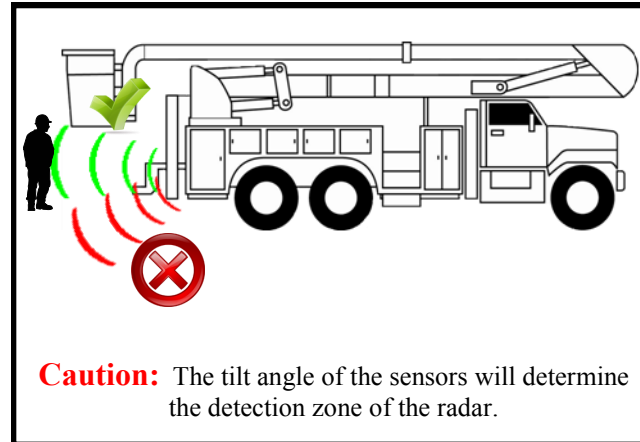
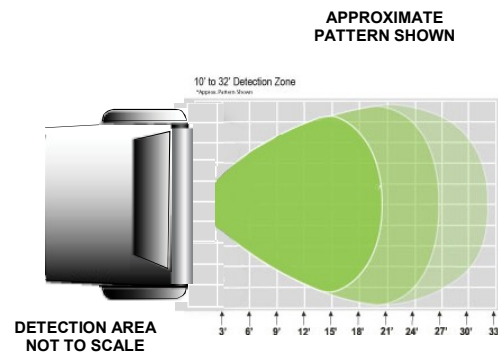
Powered by  
**PRECO**  
ELECTRONICS

### Initial System Power Up and Test

Once the sensors and display are installed, wired and connected, power should be applied to test system operation. The vehicle must be placed in reverse to power up the system, the green status LED will be the only light illuminated (the 3rd yellow LED may flash once). If any of the detection (yellow) LED's are lit, check for any objects that may be detected by the sensors. If possible, move the sensors so they do not detect the object(s). If it is not possible to relocate the sensors contact Preco Electronics, Inc.<sup>TM</sup>

If for some reason the system is malfunctioning, the status LED will turn from green to red, one of the yellow LEDs will be illuminated, and the buzzer will emit a short stutter sound. Refer to the Troubleshooting section in the display manual to determine the error and potential causes.

Once the system has been installed, the detection zone and FS255 alarm should be tested. The test should be performed with two people, one who remains in the cab (the operator), and one who walks through the sensor field to the rear of the vehicle (the assistant). The operator engages the parking brake, presses the vehicle brake, and places the vehicle in reverse. The assistant then walks through the detection zone while the operator notes where the display buzzer activates. An accurate detection zone can be mapped by moving about the rear of the vehicle and noting when the display buzzer activates. The FS255 alarm should begin sounding when the vehicle is placed into reverse and an object is detected.

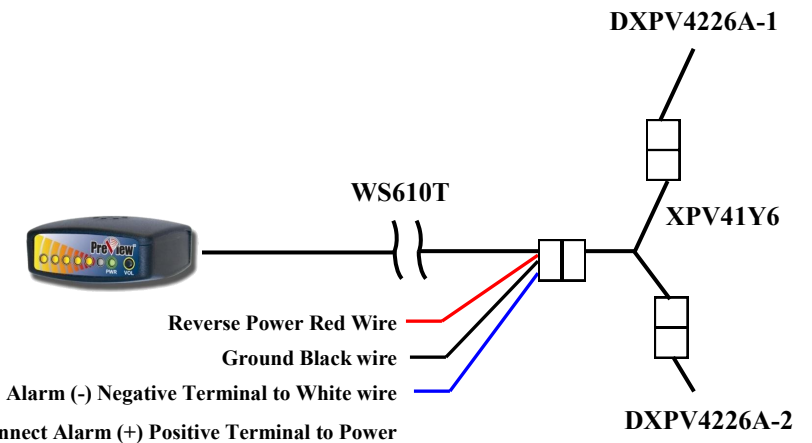


The PreView<sup>®</sup> system is a blind spot collision warning system designed to supplement other safety practices and/or devices. The machine operator is always the first line of defense when safely operating a vehicle.

Mounting Bracket Available:

**XPV-BK135**

XPV-BK135



### TESTING / MAINTENANCE

Test the PreView<sup>®</sup> System every day for functionality and performance prior to vehicle operation, refer to the sensor manual.